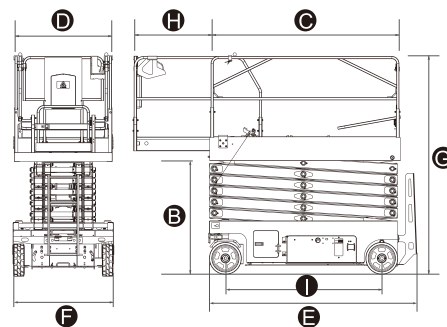


# LGMG Electric Motor Drive Scissor Lift

## SPECIFICATIONS

MODELS	AS0608E (AS2032E)		AS0808E (AS2632E)	
Measurements	Metric	US	Metric	US
Working Height Max.	7.9m	25.9ft	10m	32.8ft
<b>A</b> Platform Height-Raised	5.9m	19.4ft	8m	26.2ft
<b>B</b> Platform Height-Stowed	1.03m	3.4ft	1.14m	3.7ft
<b>C</b> Platform Length	2.26m	7.4ft	2.26m	7.4ft
<b>D</b> Platform Width	0.79m	2.59ft	0.79m	2.59ft
<b>E</b> Overall Length(with ladder)	2.4m	7.9ft	2.4m	7.9ft
<b>F</b> Overall Width	0.83m	2.7ft	0.83m	2.7ft
<b>G</b> Overall Height-Rails Up	2.19m	7.2ft	2.32m	7.61ft
Overall Height-Rails Down	1.83m	6ft	1.95m	6.4ft
<b>H</b> Extension Deck	0.9m	3ft	0.9m	3ft
<b>I</b> Wheelbase	1.85m	73in	1.85m	73in
Ground Clearance(Stowed/Raised)	100/25mm	3.94/0.98in	100/25mm	3.94/0.98in
PRODUCTIVITY				
Platform Occupants Max. (in/out)	2/1	2/1	2/0	2/0
Platform Capacity	380 kg	838 lbs	230 kg	510 lbs
Platform Capacity-Extension	120 kg	265 lbs	120 kg	265 lbs
Drive Height	Full Height			
Gradeability-Stowed	25 %			
Turning Radius-Inside	0			
Turning Radius-Outside	2.15m	7ft	2.15m	7ft
Raise/Lower Speed	30/34 s	30/34 s	31/40 s	31/40 s
Brakes	Front-wheel Brake			
Drive Mode	4×2			
Tires Type	Solid Non-marking			
Tires Size	380×130mm	15×5in	380×130mm	15×5in
POWER				
Power Source	24V DC 225Ah			
HYDRAULIC SYSTEM				
Hydraulic Oil Capacity	13L	3.4gal	13L	3.4gal
WEIGHT				
Machine Weight(CE/ANSI)	2000kg	4409 lbs	2140kg	4718 lbs



## STANDARD FEATURES

- Proportional control
- Foldable guardrail
- Emergency stop device
- Manual brake release
- Emergency descent
- Swing-out component tray
- Pothole guard
- Self-lock entry gate
- Tilt alarm with lift cut-out
- Overload sensing system
- Descent alarm with flashing beacon
- Horn/hour meter
- All motions alarm
- Full-height drive
- Intelligent diagnostic system

## OPTIONAL

- AC power to platform
- Platform anti-collision device
- Air tube to platform
- Maintenance-free battery
- Lithium battery
- GPS

### Machines in compliant with EN280 / ANSI 92.20 Standard.

Specifications subject to change without notice. Photos and diagrams in the page are for promotional purposes only.  
2020 V1 Version

### LINGONG GROUP JINAN HEAVY MACHINERY CO., LTD.

Address: No. 2676, Kejia Road, Jinan, Shandong, China  
Email: sales@lgmg.com.cn Tel: +86-0531-67879283

### LGMG Europe B.V.

Address: Laanweg 16 3208LC Spijkenisse Rotterdam, The Netherlands

### LGMG North America, Inc.

Address: 1445 Sheffler Dr, Chambersburg, PA. 17201, USA



RELIABILITY IN ACTION